



NORMBAU

PASSION FOR CARE

Inox Care Shower handrail with showerhead holder 2062240, 1100 x 1100 x 1200mm, left

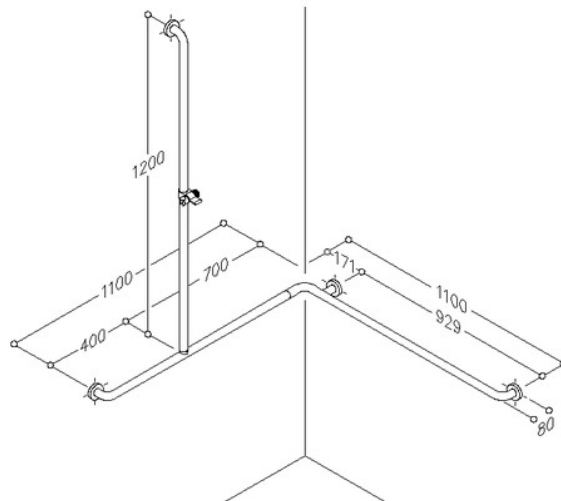
1100 x 1100 x 1200 mm, 32 mm dia, left

made of stainless steel, material No. 1.4301 (A2, AISI 304), brushed finish, self-adjusting shower head NY.BRH 91. 32, made of Nylon, shower head available in NORMBAU colour dark grey 018, easy adjustment to any height and angle, shower head holder suitable for various hand shower heads, with multi-purpose side hook, with stainless steel roses 70mm dia. for concealed screw fixing, rose inners with compensation of wall differences, maximum loading permitted: 175 kgs.

Supplied with 6mm dia x 70mm stainless Torx screws and plugs for solid masonry.

Suitable for NORMBAU suspendable shower seats 0847 710, 0847 714, 0847 910, 0847 914.

Product code	2062240
Product group	5500



NORMBAU GmbH
Schwarzwaldstraße 15
77871 Renchen/Germany
Telefon +49(0)7843 / 704 - 0
Telefax +49(0)7843 / 704 - 43
www.normbau.de normbau@allegion.com


ALLEGION